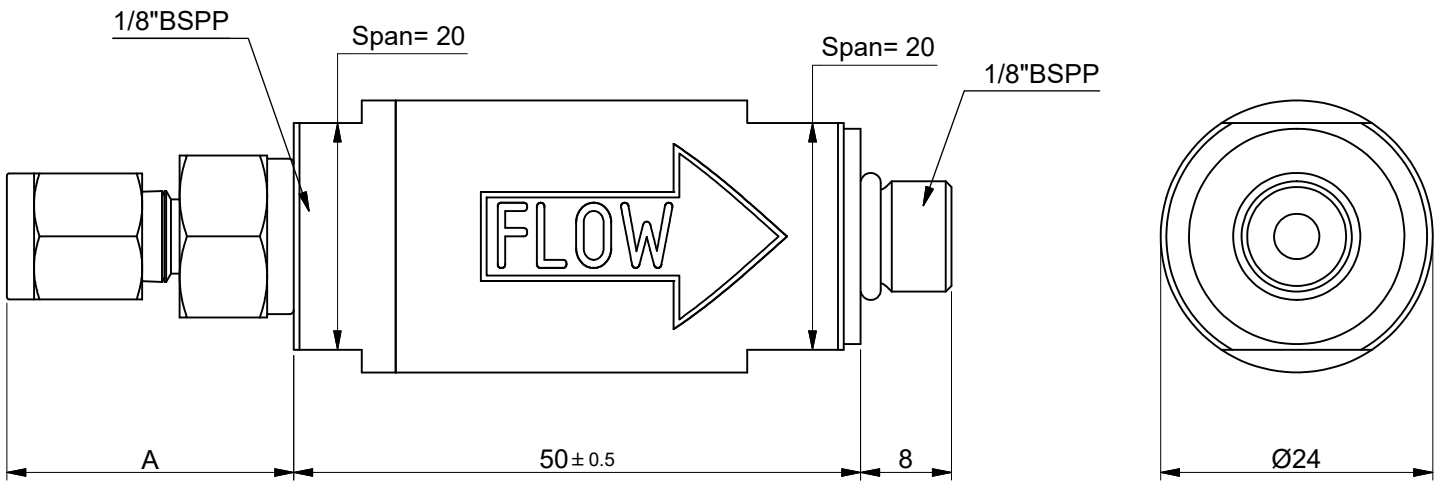

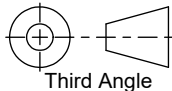


( 1:1 )



Check document 7.15.117 for dimension A.  
Dimensions subject to change without notice.

Tolerances  $\pm 0.2$  unless  
otherwise mentioned

Title: Dimensional drawing M-410 RS		Drawer : M.B. Date: 09-06-2011	Revision Description: New drawing	
 WWW.BRONKHORST.COM	Projection:  Third Angle	Checked :	Rev. by:	Scale: 3:2
	Dimensions: Metric (mm)	Date: 09-06-2011	Drawing no.: 7.15.161	Rev.: A